



# Work Tables

Fine Cooking Equipment For Over 70 Years

Date:

Project:

Quantity:



with optional casters



**#304 Stainless Steel**  
Easy cleaning and long life

**Knock-down Model**  
For shipping and storage  
Innovative design for strength

**Welded Model**  
For extreme strength & stability

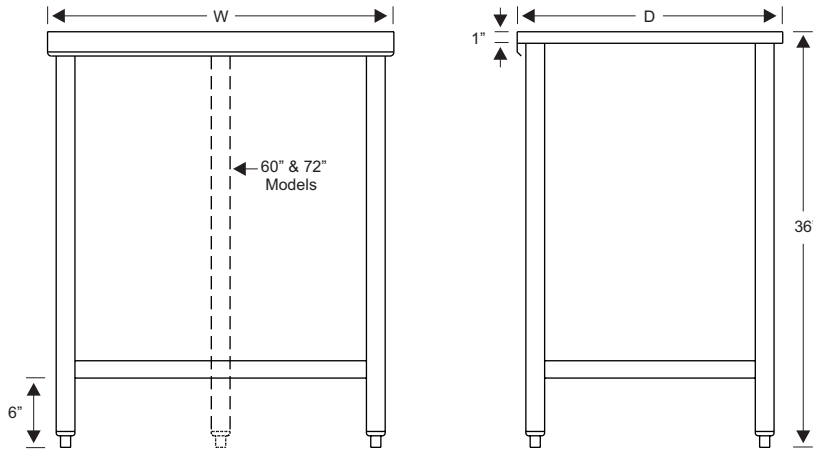
## The Connerton Company

1131 E. Wakeham Avenue, Santa Ana, CA 92705-4145

Telephone: (714) 547-9218 Fax: (714) 547-1969

[www.connertoncompany.com](http://www.connertoncompany.com)

# Connerton Work Tables



## 24-Inch Depth

Model	Width	Depth	Weight	w/Casters
CWT-24-12	12"	24"	23 lbs	28 lbs
CWT-24-24	24"	24"	32 lbs	37 lbs
CWT-24-30	30"	24"	38 lbs	43 lbs
CWT-24-36	36"	24"	52 lbs	57 lbs
CWT-24-48 <sup>†</sup>	48"	24"	64 lbs	69 lbs
CWT-24-60 <sup>†</sup>	60"	24"	83 lbs	90 lbs
CWT-24-72 <sup>†</sup>	72"	24"	100 lbs	107 lbs

## 28-Inch Depth

Model	Width	Depth	Weight	w/Casters
CWT-28-12	12"	30"	25 lbs	30 lbs
CWT-28-24	24"	30"	35 lbs	40 lbs
CWT-28-30	30"	30"	40 lbs	45 lbs
CWT-28-36	36"	30"	55 lbs	60 lbs
CWT-28-48 <sup>†</sup>	48"	30"	65 lbs	70 lbs
CWT-28-60 <sup>†</sup>	60"	30"	85 lbs	92 lbs
CWT-28-72 <sup>†</sup>	72"	30"	105 lbs	112 lbs

### Notes:

All models feature 36" height

16 gauge stainless steel

Add 'K' suffix to model # for knock-down version

<sup>†</sup>six legs standard - six legs available on all models for an additional cost

Additional sizes and heights available - call for pricing

# The Connerton Company

Telephone: (714) 547-9218

Fax: (714) 547-1969