



Fine Cooking Equipment For Over 70 Years

Model CSP-A Budget Series Stock Pot Stove

Date:

Project:

Quantity:

*90,000 BTU
for high
volume!*



Stainless Steel Front Panel

Aluminized steel body

Tough Legs

#304 Stainless Steel legs w/adj. feet

Enclosed Back

Directs heat to the pot, not out the back

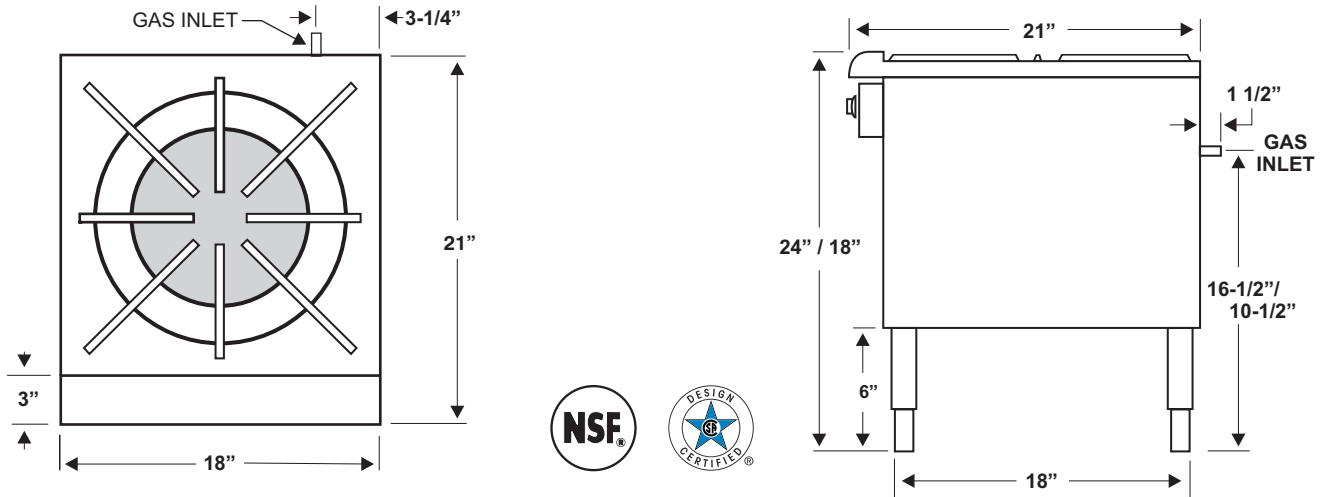
The Connerton Company

1131 E. Wakeham Avenue, Santa Ana, CA 92705-4145

Telephone: (714) 547-9218 Fax: (714) 547-1969

www.connertoncompany.com

Model CSP-A Budget Series Stock Pot Stove



Model	Width	Depth	Height	BTU	Burner	Wt. (Est.)*
CSP-18-3-A	18"	20-1/2"	24"	90,000	3-ring	105
CSP-18-3S-A	18"	20-1/2"	18"	90,000	3-ring	100

*Note: Weight estimates are uncrated

Product Specifications:

Body:	18 Gauge Aluminized Steel, Riveted
Front:	Removable 18 Gauge #304 Stainless Steel Panel
Grate:	Heavy Duty Painted Cast Iron w/ "Center-Slope" hole
Burners:	3-ring 90,000 BTU (total) Cast Iron
Drip Pan:	18 Gauge Aluminized Steel, Welded
Valves:	Heavy Duty Brass
Gas Inlet:	3/4 NPT
Legs:	1-5/8" rd. X 16 Gauge #304 Stainless Steel tubing welded to frame with adjustable feet

Available Options:

- Stainless Steel Wok Adapter Ring

Notes:

Gas Pressure Regulator is supplied and must be installed
 Non-Combustible Locations Only: 0" Clearance sides and back
 Specify type of gas and altitude if over 2,000 feet

Connerton Company reserves the right, without notice, to make changes and revisions in product specifications, materials and design, which in our opinion will provide better performance, durability and efficiency.

The Connerton Company

Telephone: (714) 547-9218

Fax: (714) 547-1969