



Fine Cooking Equipment For Over 70 Years

Equipment Stands

Date:

Project:

Quantity:



with optional casters



#304 Stainless Steel
Easy cleaning and long life

Knock-down Model
For shipping and storage
Innovative design for strength

Welded Model
For extreme strength & stability

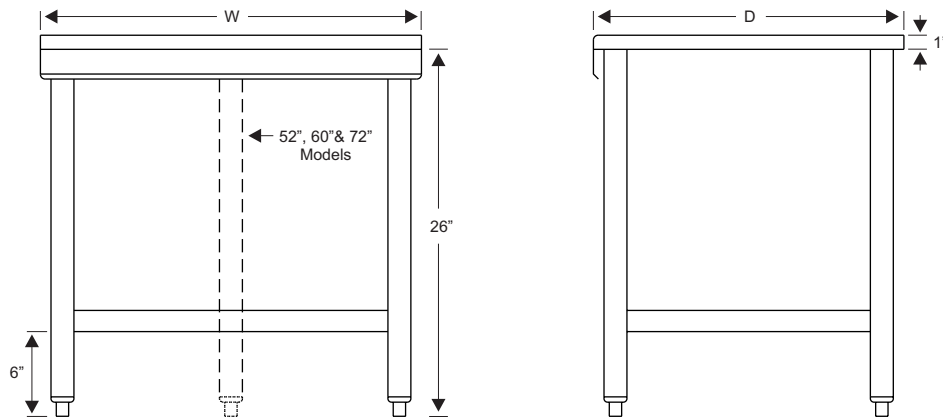
The Connerton Company

1131 E. Wakeham Avenue, Santa Ana, CA 92705-4145

Telephone: (714) 547-9218 Fax: (714) 547-1969

www.connertoncompany.com

Connerton Equipment Stands



23-Inch Depth (Designed for the RLRB & CEG Series)

Model	Width	Depth	Weight	w/Casters
CES-23-12	12"	23"	20 lbs	25 lbs
CES-23-17	17"	23"	25 lbs	30 lbs
CES-23-22	22"	23"	30 lbs	35 lbs
CES-23-27	27"	23"	35 lbs	40 lbs
CES-23-32	32"	23"	45 lbs	50 lbs
CES-23-37	37"	23"	50 lbs	55 lbs
CES-23-42	42"	23"	55 lbs	60 lbs
CES-23-47 [†]	47"	23"	60 lbs	65 lbs
CES-23-52 [†]	52"	23"	70 lbs	77 lbs

28-Inch Depth (Designed for the CG, CHP, CRB & LRB Series)

Model	Width	Depth	Weight	w/Casters
CES-28-12	12"	28"	23 lbs	28 lbs
CES-28-18	18"	28"	28 lbs	33 lbs
CES-28-24	24"	28"	32 lbs	37 lbs
CES-28-30	30"	28"	38 lbs	43 lbs
CES-28-36	36"	28"	52 lbs	57 lbs
CES-28-42	42"	28"	58 lbs	63 lbs
CES-28-48 [†]	48"	28"	64 lbs	69 lbs
CES-28-60 [†]	60"	28"	83 lbs	90 lbs
CES-28-72 [†]	72"	28"	100 lbs	107 lbs

Notes:

All models feature 26" height, 1" lip on sides and back

16 gauge stainless steel

Add 'K' suffix to model # for knock-down version

[†]six legs standard - six legs available on all models for an additional cost

Additional sizes and heights available - call for pricing

The Connerton Company

Telephone: (714) 547-9218

Fax: (714) 547-1969