



Fine Cooking Equipment For Over 70 Years

# Model A4F-RB Broiler / Charbroiler Combination

Date:  Project:  Quantity:

## Cooks In Half The Time

Cooking both sides simultaneously

## Charbroiler On Top

Saves floor and hood space

## #304 Stainless Steel Body

Both inside and out



(shown with optional casters)



The Model A4F-RB has Connerton's unique "Over/Under Broiling System." Heat is applied to both sides of the product simultaneously by two sets of burners. One set is under the broiling griddle which is thermostatically controlled. The other set is above the broiling griddle and is an infrared type, producing a penetrating heat. The charbroiler top operates independently.

With the A4F-RB every job is done in half the time. Shrinkage is dramatically reduced due to the product being subjected to heat only half as long. Since the heat is applied to both sides of the meat simultaneously, natural juices are sealed in. There is no need to turn the product while cooking, and grease is not needed.

Capital investment is reduced because a Connerton will give you more output in half the floor and ventilator hood space. A Connerton can be used for every meal in any operation. Even more important, guests will experience shorter wait times for a better tasting meal.

## The Connerton Company

1131 E. Wakeham Avenue, Santa Ana, CA 92705-4145

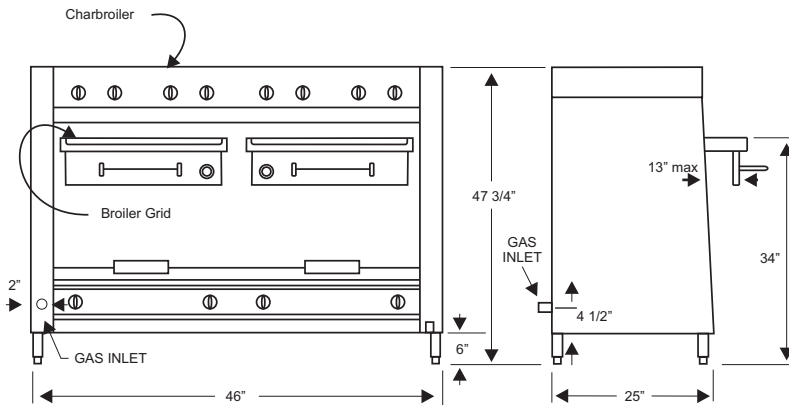
Telephone: (714) 547-9218 Fax: (714) 547-1969

[www.connertoncompany.com](http://www.connertoncompany.com)

# A4F-RB Broiler / Griddle Combination



## Specifications:



- Overall Width: . . . . . 46"
- Overall Depth (body): . . . . . 25"
- Overall Height: . . . . . 47 3/4"
- Char Broiler Height: . . . . . 47 3/4"
- Broiler Grid Up: . . . . . 34"
- Broiler Grid Down: . . . . . 26"
- Legs : . . . . . 6"
- Broiler Grid pulls out: . . . . . 13"
- Broiler Grid: . . . . . 17 3/4" x 18 1/2"
- Char Broiler surface: . . . . . 43" x 17"
- Gas Inlet: . . . . . 3/4" pipe
- Maximum BTU: . . . . . 216,000
- Crated Weight (approx): . . . 880 lbs.

- Heavily insulated, all stainless steel body with stainless steel inner body lining and stainless steel removable side and back liners for easier cleaning
- All welded frame with stainless steel legs and adjustable feet
- Broiler griddle mechanism assembly removable for easier cleaning
- Broiler mechanism moves in and out with ease on our specially designed, heavy-duty ball bearing rollers for loading and unloading of product

### Product Specifications:

- Body:** 20 Gauge #304 Stainless Steel
- Inner Liner:** 24 Gauge #304 Stainless Steel
- Griddle Plates:** Bottom -- 5/8" Highly Polished Steel Plate
- Splash:** 14 Gauge #304 Stainless Steel
- Burners:** Top Radiant Broiler -- Stainless Steel w/Steel Radiants  
Broiler Top -- Cast Iron w/Ceramic Radiants  
Broiler Bottom -- Stainless Steel
- Drip Pan:** 18 Gauge #304 Stainless Steel
- Valves:** Heavy Duty Brass
- Gas Inlet:** 3/4 NPT

### Available Options:

- Casters (5" Locking)
- Grooved Griddle

### Notes:

- Gas Pressure Regulator is supplied and must be installed
- Combustible Locations: 6" Clearance sides and back
- Non-Combustible Locations Only: 0" Clearance sides and back
- Specify type of gas and altitude if over 2,000 feet

Connerton Company reserves the right, without notice, to make changes and revisions in product specifications, materials and design, which in our opinion will provide better performance, durability and efficiency.

# The Connerton Company

Telephone: (714) 547-9218

Fax: (714) 547-1969