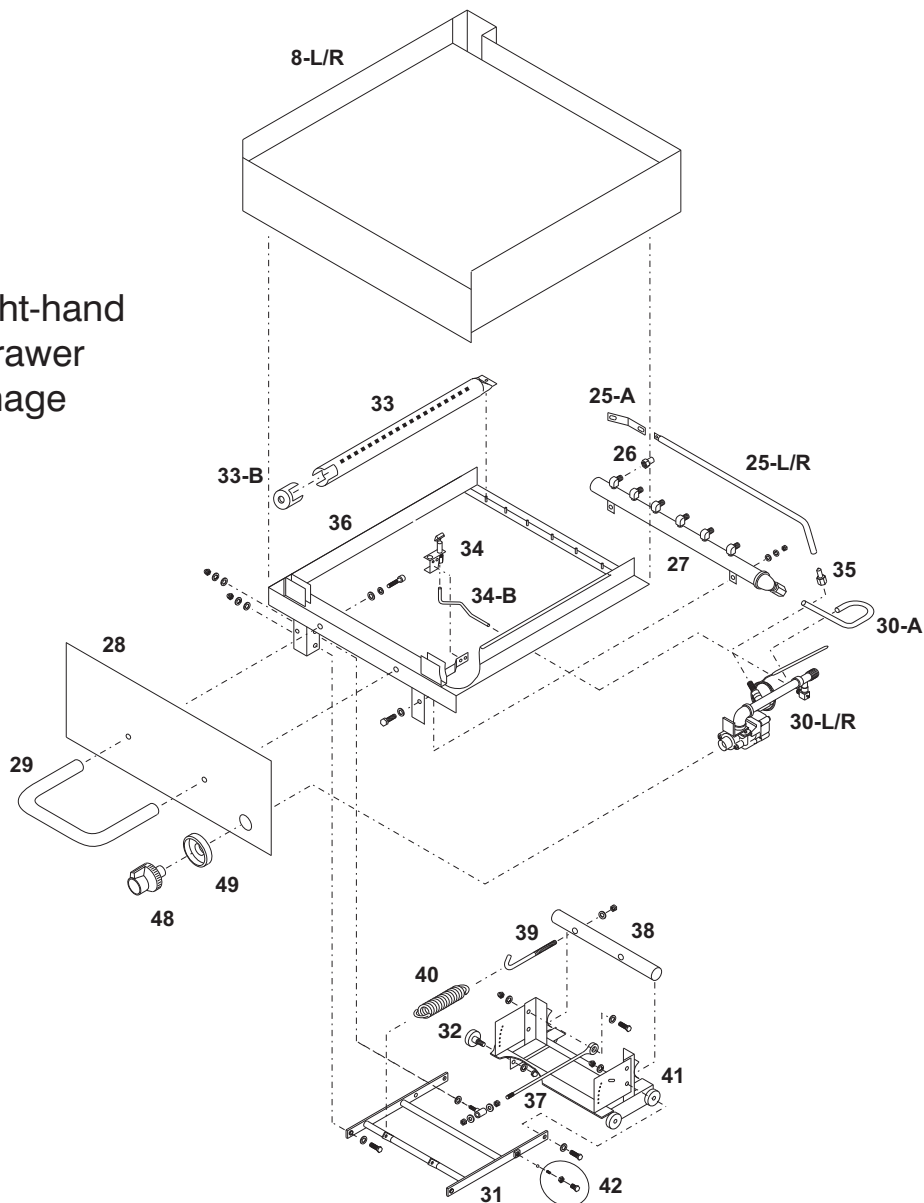


Model A-4F Parts List

- | | | | |
|-----|---------------------------|--------|---------------------------------|
| 1 | Grease Drip Spout | 16 | Top Griddle Platel |
| 2 | Ceramic Radiant | 17 | Removable Back Liner |
| 3 | Top Burner | 18 | Top Pilot Assembly |
| 4 | Back Support Bar | 18-B | Top Pilot Tubing Complete |
| 5-L | Top Manifold (Left) | 19-L/R | Removable Side Liner |
| 5-R | Top Manifold (Right) | 20 | Flexible Gas Connector |
| 5-A | Manifold Air Mixer | 21-R | Adjustable Foot Insert (Round) |
| 6 | Top Orifice Assembly | 21-S | Adjustable Foot Insert (Square) |
| 7 | Valve Bar | 22 | Grease Drip Pan |
| 9-L | Gas Supply Tubing (Left) | 23-A | Manual Valve (1/4 p) |
| 9-R | Gas Supply Tubing (Right) | 23-B | Manual Valve (1/2 cc) |
| 10 | Track Support | 24 | Chrome Valve Knob |
| 11 | Outer Track | 45 | Pop-in Swivel Caster |
| 12 | Inner Track | 45-A | Stud Caster |
| 13 | Gas Pressure Regulator | 46 | Pilot Adjustment Valve |
| 14 | Primary Gas Manifold | 47 | Insulation Board |
| 15 | Control Panel | 47-A | Cover for Insulation Board |

Note: right-hand
broiler drawer
mirror image



Model A-4F Parts List (Cont.)

8-L/R	Bottom Griddle Plate	33-B	Air Shutter
25-L	Bottom Carryover Tube (Left)	34	Bottom Pilot
25-R	Bottom Carryover Tube (Right)	34-A	Orifice for Pilot
25-A	Carryover Tube Bracket	34-B	Tubing for Bottom Pilot
26	Bottom Burner Orifice Hood	35	Carryover Tube Orifice
27	Bottom Manifold with Orifices	36	Bottom Griddle Support Frame
28	Mechanism Trim Panel	37	Leveling Rod
29	Mechanism Drawer Handle	38	Axis Shaft
30-L	Thermostat with Fittings (Left)	39	Spring Adjustment Rod
30-R	Thermostat with Fittings (Right)	40	Mechanism Spring
30-A	Tubing for Thermostat	41	Carriage Assembly
31	Support Arm	42	Detent (Ball/Spring/Bolt)
32	Roller Bearing	48	Thermostat Knob
33	Bottom Burner	49	Thermostat Bezel