



Fine Cooking Equipment For Over 70 Years

Installation, Operation & Maintenance Instructions

RLRB-A BUDGET SERIES CHAR BROILERS

For Your Safety

Do NOT store or use gasoline or other flammable vapors and liquids in the vicinity of this, or any other equipment.

Warning!

Improper installation, adjustment, alteration, service or maintenance can cause property damage, injury or death. Read the installation, operation and maintenance instructions thoroughly before installing or servicing this equipment.

To Purchaser

After installation of your broiler, immediately contact your local gas supplier to obtain information in the event the user of your equipment smells gas. This information must be posted in a prominent location.

To User

RETAIN THIS MANUAL FOR FUTURE USE

Upon receipt of this broiler, inspect it thoroughly for any damage which may have occurred during shipment. If damage is observed, contact the delivery agency immediately.

- 1. Preparation For Installation:** Safe and satisfactory operation of the broiler depends, to a great extent, upon it's proper installation. It should be installed in accordance with the National Fuel Gas Code **Z223.1**, these instructions, and applicable State and Local Codes.

Installation must be made by a licensed plumber.

A gas pressure regulator is supplied with your broiler. The regulator must be installed before connecting broiler to gas supply line. *Please note: air vent can plug with grease, thereby shutting gas supply off. Install regulator in a drip-free area.*

The broiler and it's individual shutoff valve must be disconnected from the gas supply piping system during any pressure testing of that system at test pressures in excess of 1/2 psig (3.45 kPa).

The broiler must be isolated from the gas supply piping system by closing it's individual manual shutoff valve during any pressure testing of the gas supply piping system at test pressures equal to or less than 1/2 psig (3.45 kPa).

For radiant-type broilers, radiant tabs drop into holes in the firebox. For lava rock-type broilers, lava rock grates rest on front and rear support surface of the firebox. Disburse lava rock evenly in one layer **ONLY** throughout the firebox area, leaving air spaces. For both types, top grates are notched to secure grate to lip of firebox gutter.

The Connerton Company

1131 E. Wakeham Avenue, Santa Ana, CA 92705-4145

Telephone: (714) 547-9218 Fax: (714) 547-1969

www.connertoncompany.com

2. Clearances And Ventilation: This broiler is designed for installation in non-combustible locations with 0 inch clearance from sides and back.

Keep equipment area free and clear from combustibles.

The area in front of, and above the broiler must be clear to avoid obstruction of flow of combustion and ventilation air. Means must be provided for adequate air supply and adequate clearance for air openings into the combustion chamber.

Adequate clearances must be provided in front and sides of the broiler for servicing and proper operation.

It is important that the broiler be installed under an exhaust hood which is adequate to remove the products of combustion and cooking vapors. Sufficient make-up air must also be provided to the space where the broiler is located to replace that removed through the exhaust hood.

3. Gas Piping: Make sure the gas pressure regulator supplied with the broiler is installed correctly. Connect outlet side of regulator to broiler. The regulator is set at 4 inches w.c. on natural gas and 11 inches w.c. on propane gas. A 1/8" pressure tap is provided on the gas manifold at the front of the broiler for checking the gas pressure. **Please note: air vent on regulator can plug with grease, thereby shutting gas supply off. Install regulator in drip-free area.**

Connect broiler to the gas supply line. Under no circumstances should the gas supply line be smaller than the inlet pipe on the broiler. A gas shutoff valve must be installed in the gas supply line upstream of the broiler for complete shutdown and service. Use pipe sealant on all pipe joints. Sealant must be resistant to the action of L.P. gasses.

For proper performance, the broiler must be level. If legs are provided, adjust feet at bottom of legs to level broiler. If legs are not provided, seal the base of the broiler to the countertop with silicone.

If the broiler is supplied with casters, the installation must be made with a connector that complies with the Standard for Connectors for Movable Gas Appliances **ANSI Z21.69**, and a quick-disconnect device that complies with the Standard for Quick-Disconnect Devices for Use With Gas Fuel, **ANSI Z21.41**. Adequate means must be provided to limit the movement of the broiler without depending on the connector and the quick-disconnect device or it's associated piping to limit the broiler movement. Restraining device should be connected to legs or back of body.

IMPORTANT: Check all gas connections for leaks, using a soap and water solution.

DO NOT USE AN OPEN FLAME FOR CHECKING PURPOSES

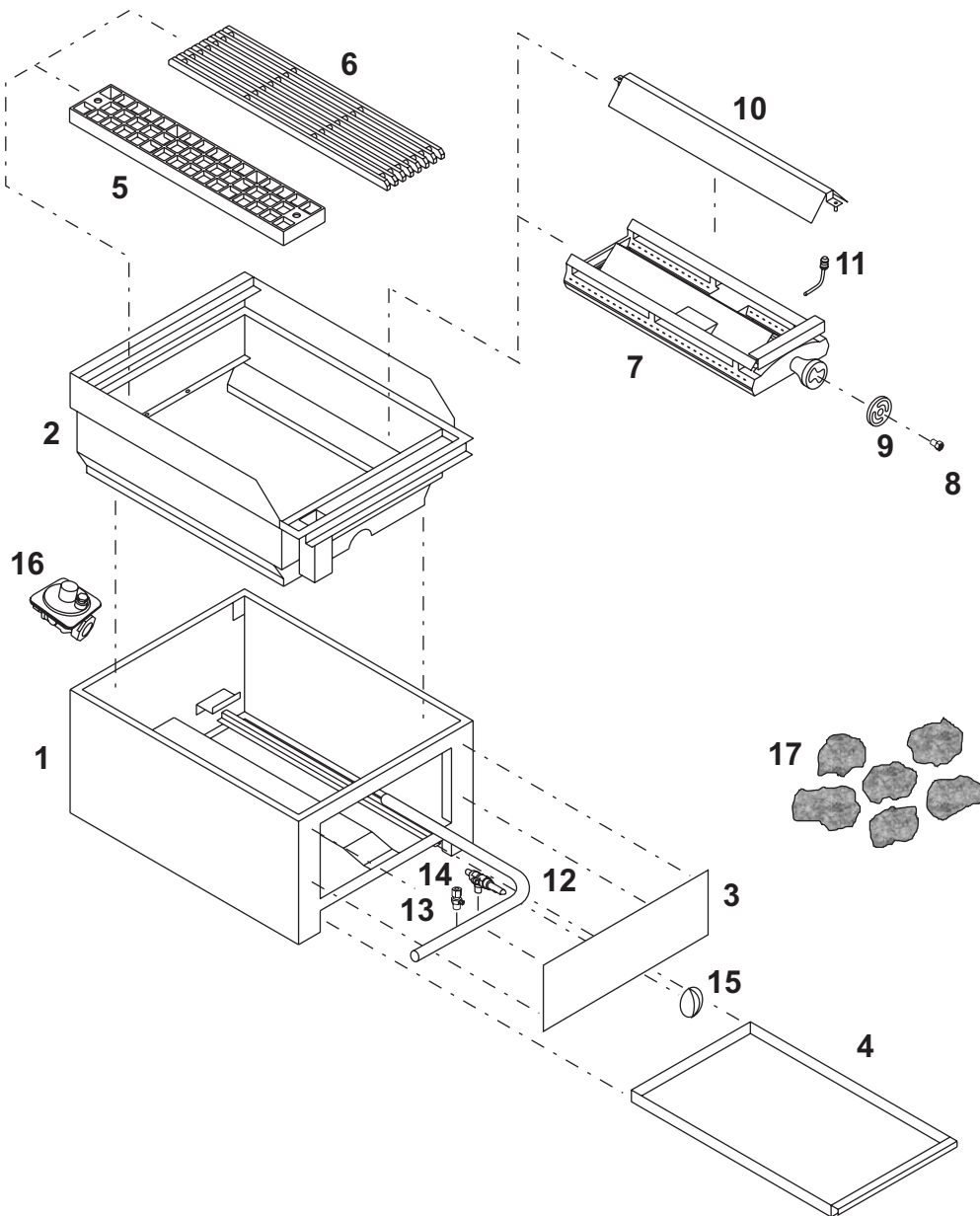
4. Lighting And Relighting Of Broiler:

- A.** Turn all burner valves and pilot valves to "OFF". Wait 5 minutes.
- B.** Turn on pilot valves and light pilots. Adjust flame height to approximately 1/2".
- C.** Turn on burner valves to operate your broiler.
- D.** For complete shutdown, turn off all valves and the gas shutoff valve located upstream of the broiler.
- E.** To relight, repeat above procedures.

5. Care And Maintenance:

Contact factory, factory representative, or a local service company to perform maintenance and repairs. **Please Note: Contact factory before any warranty repairs are made.**

- A.** To clean top grate, use warm water, a mild cleanser and wire brush.
- B.** At least once per day, clean and empty grease pan.
- C.** Periodically, but not less than once every 3 months, clean burner orifices using warm water and wire brush. *Make sure equipment is cold before removing burners and orifices.*



RLRB-A BUDGET SERIES CHAR BROILERS

1. 65-400-xx	Body	9. 00-675-00	Air Shutter
2. 60-475-xx	Firebox	10. 60-125-00	Radiant
3. 60-425-xx	Front Panel	11. 60-350-00	Pilot w/tubing
4. 65-450-xx	Grease Pan	12. 60-300-xx	Gas Manifold
5. 60-100-02	Waffle Grate	13. 00-225-00	Pilot Valve
6. 60-100-01	Top Grate	14. 00-250-00	Manual Control Valve
7. 60-150-00	Burner	15. 00-500-00	Chrome Knob
8. 60-200-01	Orifice Hood - Natural	16. 00-275-01	Regulator - Natural
60-200-02	Orifice Hood - Propane	00-275-02	Regulator - Propane
		17. 00-175-00	Lava Rock

*** For part numbers ending in xx, specify model size (ie: 65-400-37 for a RLRB-23-37R/L)

*** IMPORTANT: Lava Rock NOT to be used with Radiants (10)

TROUBLESHOOTING GUIDE

Condition	Probable Cause	Solution
Small/no burner flame	Regulator failure	Unplug regulator vent hole or replace regulator.
	Plugged orifice hood	Unplug hole or replace orifice.
	Plugged burner port	Unplug burner port(s).
Small/no pilot flame	Pilot valve setting	Adjust flame height.
	Plugged pilot tip	Unplug pilot ports.
Yellow burner flame	Improper air shutter setting	Increase air shutter setting until flame is blue.
	Enlarged orifice hood	Replace w/correct orifice.
Flame lifts off burner	Improper air shutter setting	Decrease air shutter setting until flame sits on burner.
	Plugged orifice hood	Unplug orifice hole or replace orifice.
	Improper level setting	Adjust level w/feet or shims.
Too hot/cold	Improper control setting	Adjust control setting or replace control.
	Improper level setting	Adjust level w/feet or shims.
	Too much/little lava rock	Add/remove lava rock to proper level; single layer only with air space.

LIMITED WARRANTY

The Connerton Company warrants to the original user for a period of one year from date of installation, not to exceed 18 months from date of shipment by Connerton, that the equipment manufactured is free from defects in material or workmanship.

Our obligation under this warranty shall be limited to furnishing without charge any part of said product which, upon examination by The Connerton Company shall prove to be defective. Parts wear is not considered a defect. The Connerton Company will not be responsible for labor or transportation charges incidental to the replacement of same.

The Connerton Company assumes no responsibility for failure of the equipment to operate properly due to improper installation or operation. This warranty applies to all equipment that has been unaltered, properly installed and maintained in accordance with national and local codes and in accordance with the installation and operating instructions included with this equipment.

This warranty does not extend to normal maintenance items, including but not limited to, air and gas adjustments and adjustments to pilot flames. Proper installation, adjustments, and initial checkout is the responsibility of the dealer, the owner-user or installer and not that of The Connerton Company.

Exceptions to warranty:

- 1) Lower lava rock broiler grates.

Please fill out and refer to the following when contacting the factory:

Model # RLRB-23- ____ **-A Serial#** _____ **Gas Type:** _____ **Purchase Date:** _____